

NEW STOCKLINE



Bonded Washers

or Dowty Seals



Bonded Washers are a huge advantage, not only because of the durable materials, but the constant seal in extreme temperatures sets it apart. **Standard application** sees NBR combined with Carbon Steel, and the **High temperature application** is a combination of Viton and 316 Stainless Steel for total reliability.

Other advantages

- Efficient and reliable means of face sealing at high and low pressures
- Cost effective and re-usable when remaking joints
- Versatile, applicable to all threaded bolts, studs and clearance holes
- Seals to plane surfaces with no housing for the sealing lip
- Sealing Washers are available for Metric and BSP threads
- Metal washer prevents over-compression and extrusion
- Automatically installed or usable for overhead installation
- Visible from the outside and no sweating

Exclusively distributed by

Pacific Seals, 1D Quadrant Drive, Gracefield, Lower Hutt www.pacificseals.co.nz 04 566 3180

0800 822 722



Bonded Washers

or Dowty Seals

Bonded Washer also known as Dowty seals represent a combination of metal washer and elastomer sealing lip vulcanised to the edge of the metal part to seal bolted connections and mounting elements in all industrial applications e.g. pipe connections and couplings.

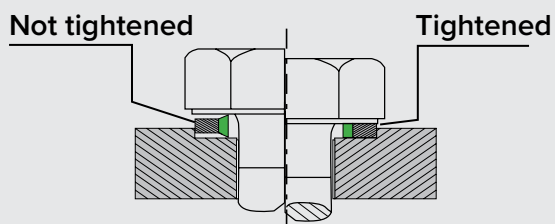
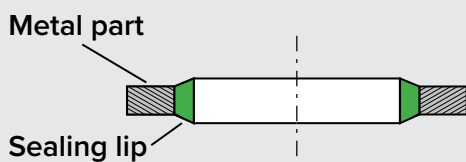
When the connection is tightened, the sealing lip is pressed against the flat surfaces. The metal washer ensures that the components to be connected are reliably and securely held. The thickness of the washer limits the compression of the elastomer seal, eliminates any over torque of the joint, thereby ensuring a reliable sealing system. The internal pressure increases the sealing force by energising the sealing lip.

Available in Standard or Self-Centralsing seal options

Standard Bonded Seal



- Reliable high and low pressure sealing
- Wide temperature capability
- Metal ring prevents over-compression & extrusion
- Large range of elastomers and metals
- Available in Metric or BSP threads

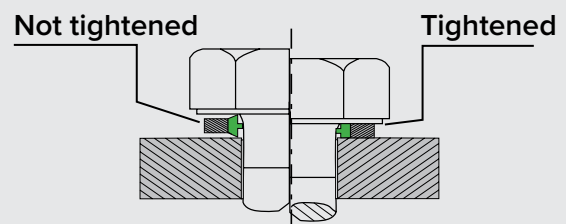
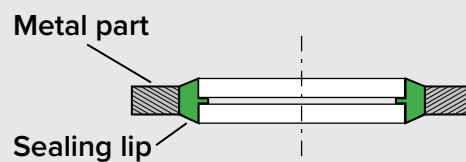


Self-Centralsing Bonded Seal



All benefits of standard seals plus:

- Concentrically located
- Positively retained
- Ease of assembly
- Ability to pre-assemble
- Optimised component stocking



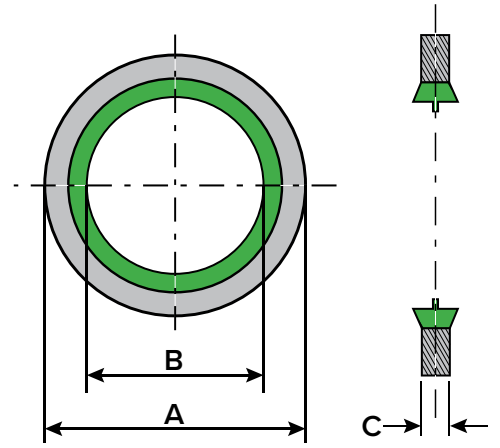
Materials & Temperature ranges.

The Bonded Washer is suitable for use with mineral oils, water, gases and many other fluids. The temperature range varies according to the particular application. For general conditions the series operates at -30 to 120 oC . This product is available in Metric and imperial. Some ranges are also available in Self centring. This product is also available in Stainless Steel for high corrosive application and Viton rubber for high temperature application.

Bonded Washers

or Dowty Seals

Reference dimension chart | **Imperial**



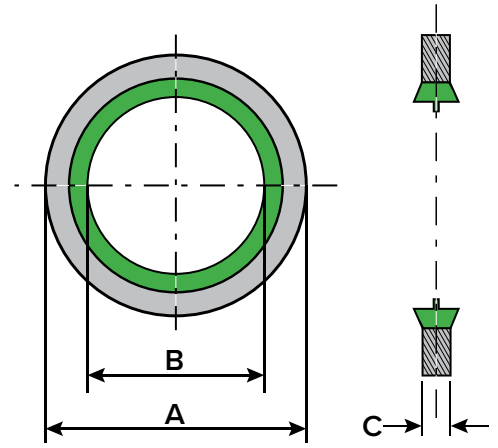
SIZE Imperial		Material (PART NUMBERS)			A (OD)	B (ID)	C (Height)	REFERENCE	
BOLT	BSP	NBR/Steel Standard	NBR/SS Self Centralising	Viton/SS Self Centralising	+0.13 -0.00	+0.13 -0.10	+0.13 -0.00	STANDARD	SELF CENTRALISING
6BA	–	32348	–	–	6.35	3.05	1.22	001	–
4BA	–	32267	–	–	7.26	4.12	1.22	002	–
2BA	–	32268	–	–	8.38	5.21	1.22	003	–
1/4	–	32269	–	–	13.21	6.86	1.22	004	–
1/4	–	32270	–	–	13.34	6.99	1.00	005	–
5/16	–	32271	–	–	13.34	8.31	1.22	006	–
5/16	–	32272	–	–	14.22	8.64	1.22	007	–
3/8	1/8	32235	33790	32603	15.88	10.37	2.03	020	820
7/16	–	32274	–	–	19.05	11.69	2.03	009	–
1/2	1/4	–	33791	32604	20.57	13.74	2.03	021	821
9/16	–	32275	–	–	22.23	14.86	2.03	010	–
5/8	–	32276	–	–	25.40	16.51	2.03	011	–
–	3/8	–	33792	32605	23.80	17.28	2.03	023	823
1 1/16	–	32277	–	–	25.40	18.16	2.49	012	–
3/4	–	–	–	–	26.92	19.69	2.49	024	–
13/16	1/2	–	33793	32606	28.58	21.54	2.49	025	825
7/8	5/8	32226	–	–	31.75	23.49	2.49	026	826
15/16	–	32295	–	–	33.27	24.26	2.49	013	–
1	3/4	32228	33794	32607	34.93	27.05	2.49	027	827
1 1/16	–	32287	–	–	38.61	27.82	2.49	028	–
1 1/8	–	32279	–	–	36.58	29.33	2.49	014	–
–	7/8	32225	–	–	38.10	30.81	2.49	029	829
1 1/4	–	32266	–	–	41.40	32.64	3.38	015	–
1 5/16	1	–	36146	32608	42.80	33.89	3.20	030	830
1 5/16	1	32288	–	–	42.80	33.89	2.49	031	831
1 3/8	–	32281	–	–	44.45	35.94	3.20	016	–
1 1/2	–	32282	–	–	47.75	38.96	3.20	017	–
1 5/8	1 1/4	–	36375	32609	52.38	42.93	3.20	032	832
1 3/4	–	32283	–	–	57.15	45.34	3.38	018	–
1 7/8	1 1/2	–	32234	32610	58.60	48.44	3.20	033	833
2	–	32284	–	–	63.50	51.69	3.38	019	–
2 1/8	1 3/4	–	–	–	69.85	54.89	3.20	034	834
–	2	–	32231	32611	73.03	60.58	3.20	036	836
2 1/2	–	32278	–	–	77.72	64.39	3.20	037	–
–	2 1/4	32229	–	–	79.50	66.68	3.20	038	–
–	2 1/2	32230	–	–	90.17	76.08	3.38	039	–
–	3	32218	–	–	101.47	89.09	3.38	079	–

Bonded Washers

or Dowty Seals

Reference dimension chart | Metric

*MOST COMMON METRIC SIZES IN BOLD



SIZE Metric BOLT	Material (PART NUMBERS)			A (OD) +0.13 -0.00	B (ID) +0.13 -0.10	C (Height) +0.13 -0.00	REFERENCE	
	NBR/Steel Standard	NBR/SS Self Centralising	Viton/SS Self Centralising				STANDARD	SELF- CENTRALISING
M3.5	32292	–	–	7.20	4.10	1.00	201	–
M4	32293	–	–	7.00	4.50	1.00	202	–
M5	32294	–	–	9.00	5.70	1.00	203	–
M5	32280	–	–	10.00	5.70	1.00	204	–
M5.5	32258	–	–	9.20	6.20	1.00	205	–
M6	32239	–	–	10.00	6.70	1.00	206	–
M6	32240	–	–	11.00	6.70	1.00	207	–
M6	32244	–	–	11.00	6.70	2.50	208	–
M6.5	32245	–	–	12.00	7.10	1.00	209	–
M6.7	32246	–	–	10.20	7.30	1.00	210	–
M8	32265	–	–	13.40	8.50	1.00	211	–
M8	–	32256	32613	14.00	8.70	1.00	M8	866
M8	32253	–	–	13.00	8.70	1.00	212	–
M8	32256	–	–	14.00	8.70	1.00	213	–
M8	32250	–	–	15.00	8.70	1.00	214	–
M10	32262	–	–	16.00	10.35	2.00	216	–
M10	–	32263	32614	16.00	10.70	1.50	M10	708
M10	32264	–	–	18.00	10.70	1.50	218	–
M11	32252	–	–	16.30	11.40	1.50	219	–
M11	32260	–	–	18.50	11.80	1.50	220	–
M11	32259	–	–	19.10	11.80	1.50	221	–
M12	–	32257	32618	19.00	12.70	1.50	M12	867
M12	32255	–	–	20.00	12.70	1.50	223	–
M13	32254	–	–	20.00	13.70	1.50	224	–
M13	32251	–	–	22.00	13.70	1.50	225	–
M13.5	32249	–	–	18.70	14.00	1.50	226	–
M14	–	32248	32620	22.00	14.70	2.00	M14	868
M15	32247	–	–	22.70	16.00	1.50	228	–
M16	–	32243	32633	24.00	16.70	3.20	M16	870
M17	32242	–	–	24.00	17.40	1.50	230	–
–	–	–	32621	26.00	18.70	2.00	M18	872
M18	–	32291	–	26.00	18.70	1.50	232	–
M20	–	32359	32622	28.00	20.70	2.00	M20	873
M21	32312	–	–	28.70	21.50	2.50	234	–
M22	–	32289	32625	30.00	22.70	2.00	M22	874
M22	32310	–	–	30.00	22.70	2.00	236	–
M22	32346	–	–	30.00	22.70	3.00	237	–
M24	–	32345	32626	32.00	24.70	2.00	M24	875
M33	32339	–	–	43.00	34.30	2.00	244	–
M39	32337	–	–	51.00	40.00	2.50	246	–
M42	32233	–	–	53.00	42.70	3.00	247	–
M51	32334	–	–	60.00	52.00	3.00	249	–
M52	32357	–	–	64.50	53.30	3.00	250	–
M60	32338	–	–	73.00	60.70	3.00	251	–
M68	32340	–	–	79.50	68.60	3.50	252	–
M75	32367	–	–	90.30	76.80	3.38	253	–
M88	32366	–	–	101.48	89.09	3.25	254	–
M125	32365	–	–	143.67	127.00	5.00	255	–